

QBF-8000-11000-45

8~11GHz, 45dBc

Features:

- * High Stopband Rejection
- * Small Size

Applications:

- * Telecom
- * Laboratory Test
- * Receivers
- * Instrumentation

Electrical

Frequency:	8~11GHz
3dB Bandwidth:	3000MHz
Passband Insertion Loss:	0.65dB max.
Stopband Attenuation:	45dBc@5GHz min. 80dBc@16~22GHz min.
VSWR:	1.8 max.

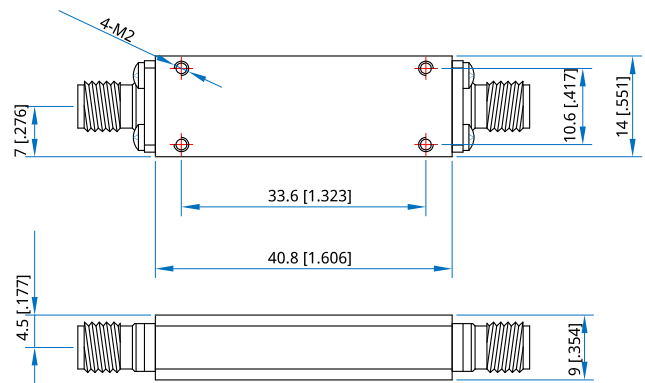
Mechanical

Size ^{*1} :	40.8*14*9mm 1.606*0.551*0.354in
RF Connectors:	SMA Female
Mounting:	4-M2 through-hole

[1] Exclude connectors.

Environmental

Operating Temperature:	-40~+70°C
Non-operating Temperature:	-55~+85°C

Outline Drawings


Unit: mm [in]

Tolerance: ±0.2mm [±0.008in]

How To Order

QBF-8000-11000-45

Customization is available upon request.